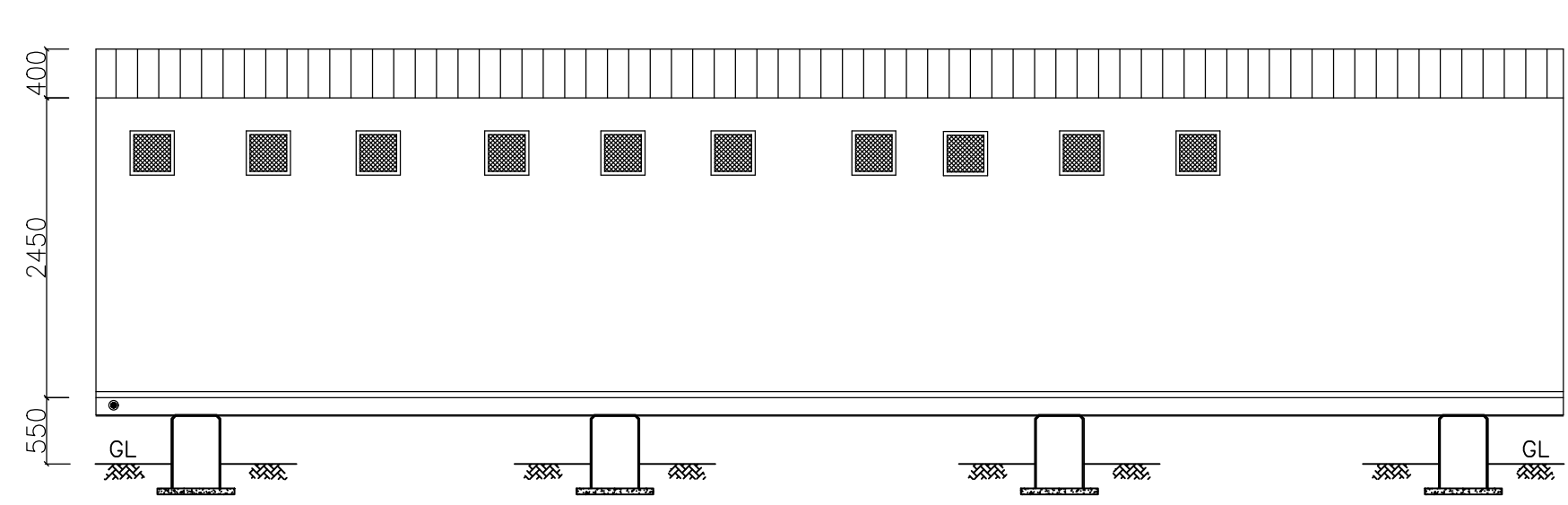
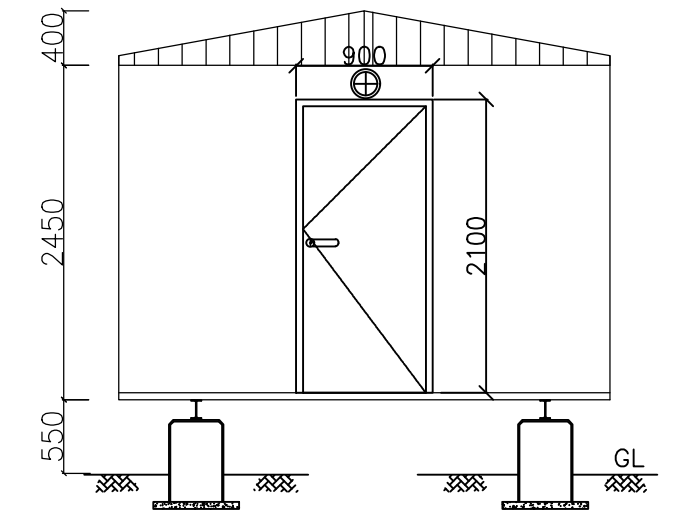


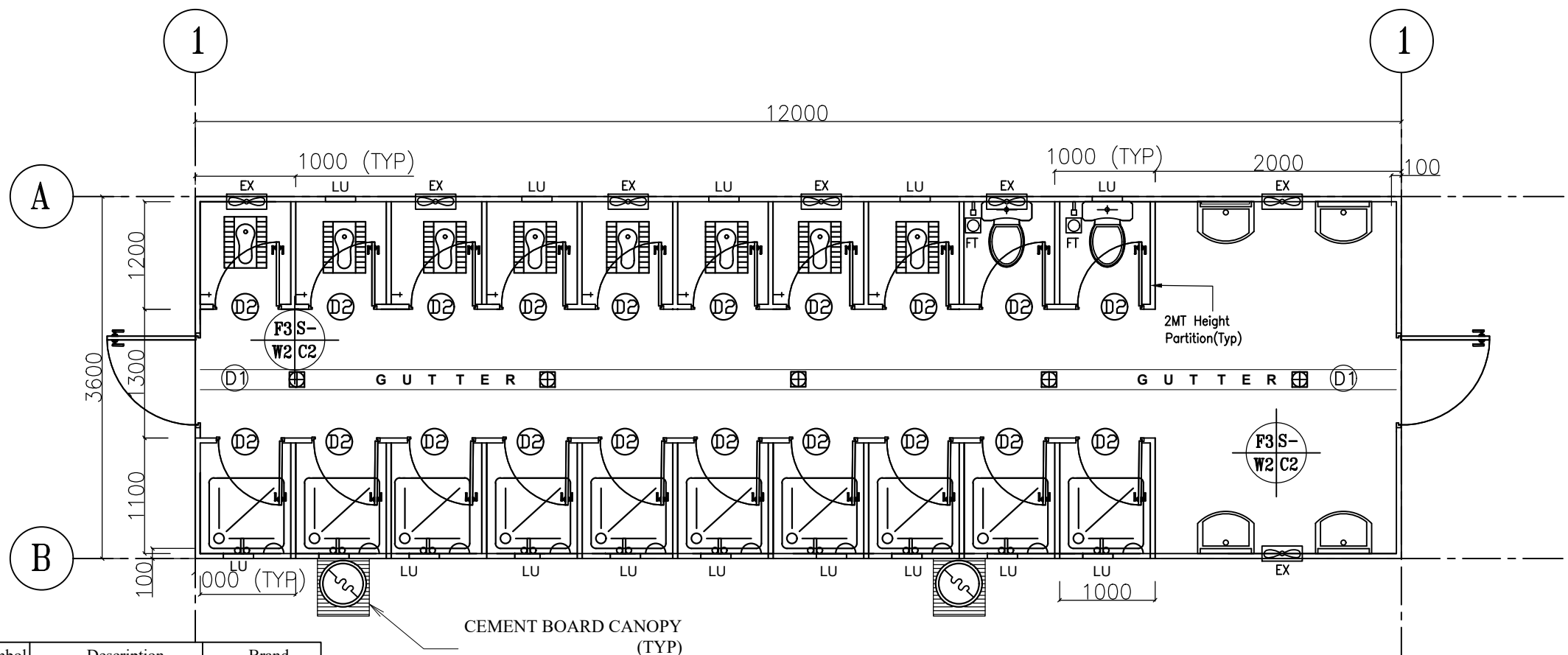
SCHEDULE OF OPENING		
SYMBOL	DESCRIPTION	SIZE
D1	1 HR STEEL DOOR BOTTOM BRUSH WITH DOOR CLOSER	900X2100
D2	ALUM. DOOR (TOILET)	700X2000
W	WHITE POWER COATED ALUM. SLIDING WINDOW WITH 6MM SINGLE GLAZED GLASS	1000X1200



ABLUTION FRONT ELEVATION



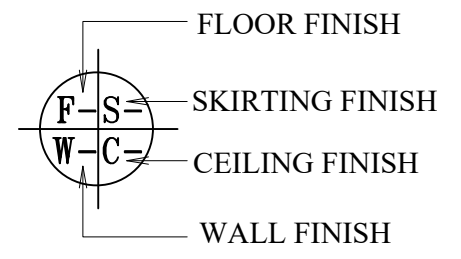
SIDE ELEVATION



ABLUTION CABIN

FINISHES	
F1	CARPET FLOORING
F2	PVC FLOORING
F3	GRP FLOORING
S1	PVC SKIRTING
W1	GYPSUM BOARD WITH 10B15 EMULSION PAINT
W2	CEMENT BOARD WITH WHITE ENAMEL PAINT (TOILET)
C1	GYPSUM BOARD PAINTED WITH 10B15 EMULSION PAINT
C2	CEMENT BOARD WITH WHITE ENAMEL PAINT (TOILET)

Symbol	Description	Brand
	Wash Basin	RAK
	EWC	RAK
	Hand Spray	KM
	WHB Mixer	KM
	Shower Cubicle 90x90 With Glass Encloser	
	Shower Mixer	KM
	PVC Floor Trap Cover 4"	-----
	Bath Room Accessories	XOXO
	PPR Pipes & Fittings	Techno pipe



REV	DATE	DESCRIPTION	DGN	CHK	APP

CLIENT :
 CONTRACTOR :
 PROJECT :

TITLE :- ABLUTION CABINS
 PR NO:- DESIGN :- ASM
 SCALE :- 1:100 DRAWN :- NAZ
 DATE :- CHECKED :- ASM
 CAD FILE :- 2016 APPROVED :-

ALL THE DRAWINGS ARE THE PROPERTY OF LOTUS UNITED ENTERPRISES -CARPENTRY DIVISION AND CANNOT BE USED WITHOUT THEIR WRITTEN PERMISSION. JOB NO :-
 REV NO :-

AL REHWAN UNITED LLC

THIS DRAWINGS IS THE SOLE PROPERTY OF ARCC CARAVAN AND CANNOT BE USED WITHOUT THEIR WRITTEN PERMISSION.