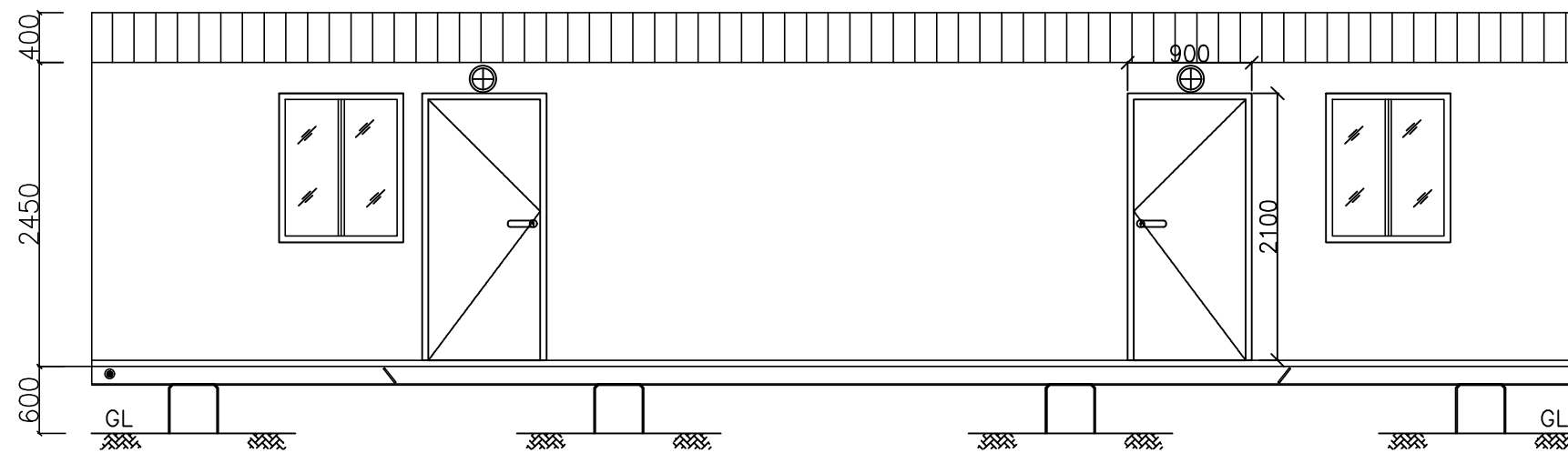
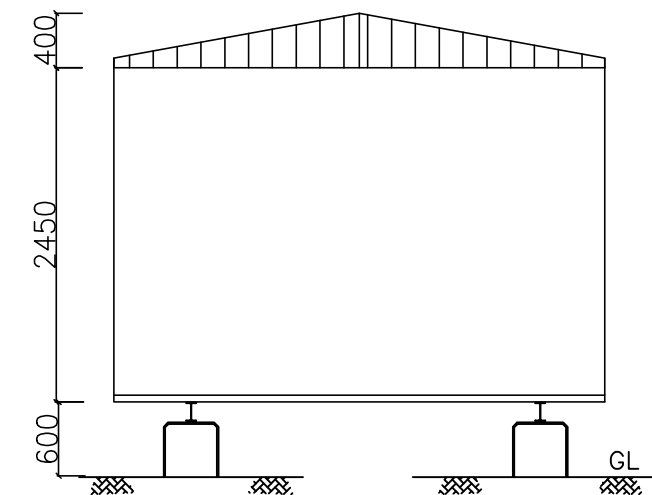


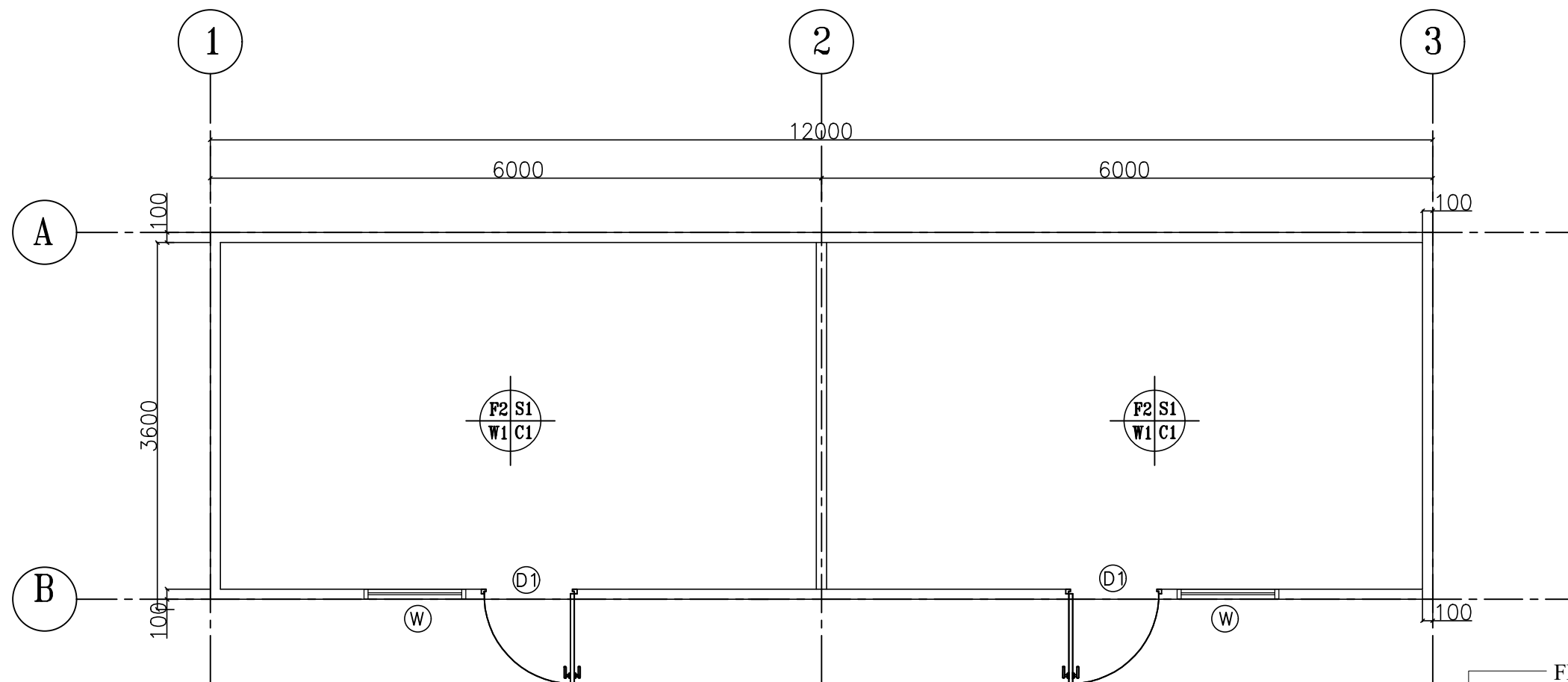
SCHEDULE OF OPENING		
SYMBOL	DESCRIPTION	SIZE
D1	1 HR STEEL DOOR BOTTOM BRUSH WITH DOOR CLOSER	900X2100
D2	ALUM. DOOR (TOILET)	NIL
W	WHITE POWER COATED ALUM. SLIDING WINDOW WITH 6MM SINGLE GLAZED GLASS	1000X1200



FRONT ELEVATION



SIDE ELEVATION



2 ROOM ACCOMMODATION

FINISHES	
F1	CARPET FLOORING
F2	PVC FLOORING
F3	GRP FLOORING
S1	PVC SKIRTING
W1	GYPSON BOARD WITH 10B15 EMULSION PAINT
W2	CEMENT BOARD WITH WHITE ENAMEL PAINT (TOILET)
C1	GYPSON BOARD PAINTED WITH WHITE EMULSION PAINT
C2	CEMENT BOARD WITH WHITE ENAMEL PAINT (TOILET)

REV	DATE	DESCRIPTION	DGN	CHK	APP

CLIENT :

CONTRACTOR :

PROJECT :

TITLE : 2ROOM TYPE CABINS

PR NO:- DESIGN :- ASM

SCALE :- 1:100 DRAWN :- NAZ

DATE :- CHECKED :- ASM

CAD FILE :- 2016 APPROVED :-

ALL THE DRAWINGS ARE THE PROPERTY OF LOTUS UNITED ENTERPRISES-CARPENTRY DIVISION AND CANNOT BE USED WITHOUT THEIR WRITTEN PERMISSION. JOB NO :-

REV NO :-

AL REHWAN UNITED LLC

THIS DRAWINGS IS THE SOLE PROPERTY OF ARCC CARAVAN AND CANNOT BE USED WITHOUT THEIR WRITTEN PERMISSION.